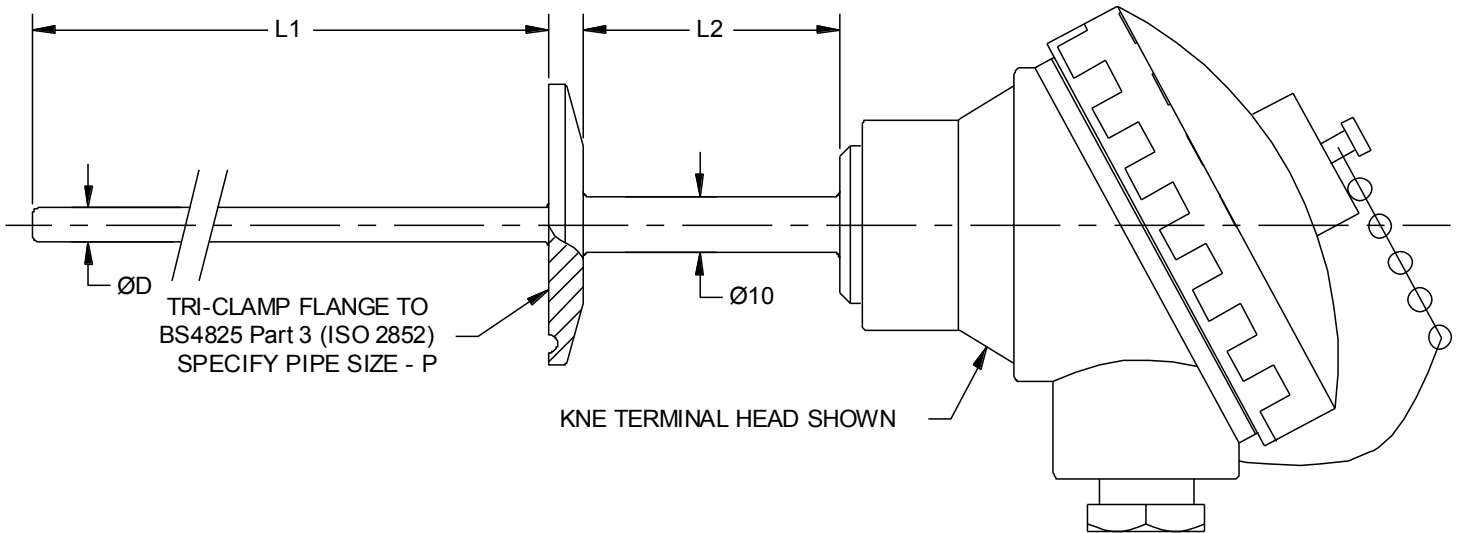
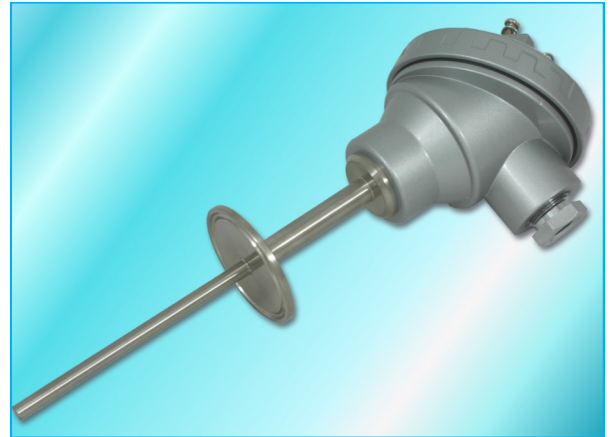


TTM6-T

Thermocouple with Hygienic Process Connection



- Rigid Stem Probe with Industry Standard Sanitary Hygienic Connection.
- Tri-Clamp, RJT and IDF and other industry standard connections.
- Crevice Free Welds for Ultimate Hygiene.
- Sanitary Applications in Brewing, Dairy and Pharmaceutical Industries
- Choice of Pipe Sizes and Terminal Head Types.
- Range of transmitter products.



Specifications

Sensor Type	Type J, K or T thermocouple.
Operating Range	-50 to +250°C (Unless otherwise requested)
Sheath Material	316 stainless steel, all TIG welded construction
Tolerance Band	BS EN 60584-2:1993 Class 1 or Class 2
Wiring System	Simplex or Duplex
Head Types	A - KNE Aluminium Alloy, IP68 B - KSE Aluminium Alloy, IP68 C - ABS, IP67 D - Glass Filled Nylon, IP65 E - 316 stainless steel, IP68 (Other heads available upon request)
Head Options	A Ceramic Terminal Block B In Head Transmitter—various options available inc. HART and Intrinsically Safe. C Tails for Customers Own Transmitter

TTM6-T

Thermocouple with Hygienic Process Connection



www.kobold-direct.co.uk

TTM6-T



Thermocouple Type	
Type J	J
Type K	K
Type T	T

Junction Type	
Insulated	1
Grounded	2

No. of detectors	
Simplex	S
Duplex	D

Sheath Dia - ØD	
3.0mm	30
1/8"	32
4.0mm	40
4.5mm	45
3/16"	48
5.0mm	50
6.0mm	60
6.4mm	64
8.0mm	80
10.0mm	100
12.0mm	120
15.0mm	150

Sheath Length L1	
Enter length in mm	

Specials Code	
Refer to Sales Office	

Head Options	
Block	1
Transmitter*	2
Tails	3

*Not available with KSE head

Head Type	
KNE	A
KSE	B
ABS	C
Nylon	D
St/Steel	E

Extension Length L2	
Enter length in mm	

Connection Type	
Tri-Clamp	T
RJT	R
IDF	I
Other	X

Pipe Size P	
1/2" / 3/4"	A
1 / 1 1/2"	B
2"	C
2 1/2"	D
3"	E
4"	F

NOTE: Some option combinations not possible.

This data sheet gives details of the most popular options available for this type of sensor but is not intended to give an exhaustive list of possibilities. If you have a special requirement please do not hesitate to contact our sales office for assistance.

Accessories for your sensor...



Signal Conditioners



Pockets / Thermowells



Extension Cables