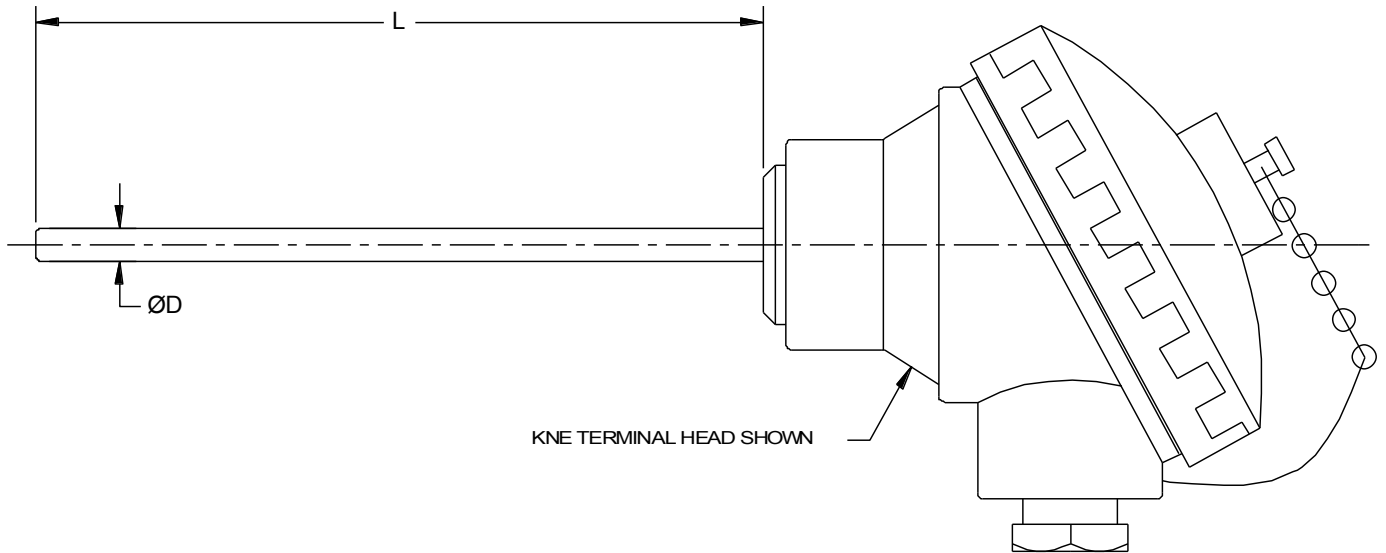


TTM3-T

Thermocouple Probe with Terminal Head



- Plain Stem Probe below Terminal Head
- Heads available in Aluminium, Stainless Steel, Nylon or ABS
- Up to IP68 environmental protection
- Choice of Head Fittings - Block, Transmitter or Tails
- Battery powered or loop powered displays
- Ideal for Sliding Compression Fittings or Pockets



Specifications

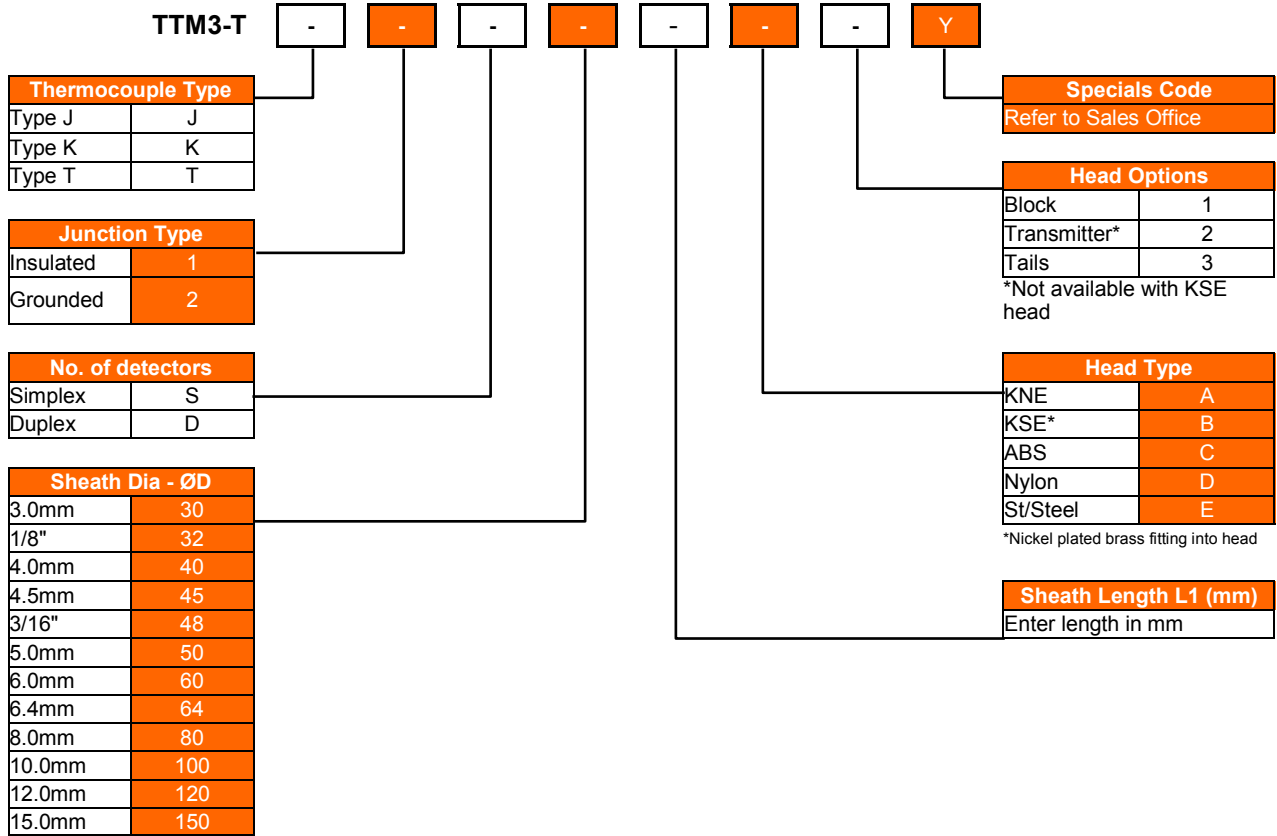
| | |
|-----------------|--|
| Sensor Type | Type K, J, T, E or N thermocouple Insulated or Grounded Hot Junction |
| Operating Range | -50 to +250°C unless otherwise requested. |
| Sheath Material | 316 stainless steel |
| Tolerance Band | BS EN 60584-2:1993 Class 1 or Class 2 |
| Wiring System | Simplex or Duplex |
| Head Types | A - KNE Aluminium Alloy, IP68 B - KSE Aluminium Alloy, IP68 C - ABS, IP67 D - Glass Filled Nylon, IP65 E - 316 stainless steel, IP68 (Other heads available upon request) |
| Head Options | A - Ceramic Terminal Block B - In Head Transmitter—various types C - Tails for Customers Own Transmitter |

TTM3-T

Thermocouple Probe with Terminal Head



www.kobold-direct.co.uk



NOTE: Some option combinations not possible.

This data sheet gives details of the most popular options available for this type of sensor but is not intended to give an exhaustive list of possibilities. If you have a special requirement please do not hesitate to contact our sales office for assistance.

Accessories for your sensor...



Compression Fittings



Signal Conditioners



Pockets / Thermowells



Extension Cables