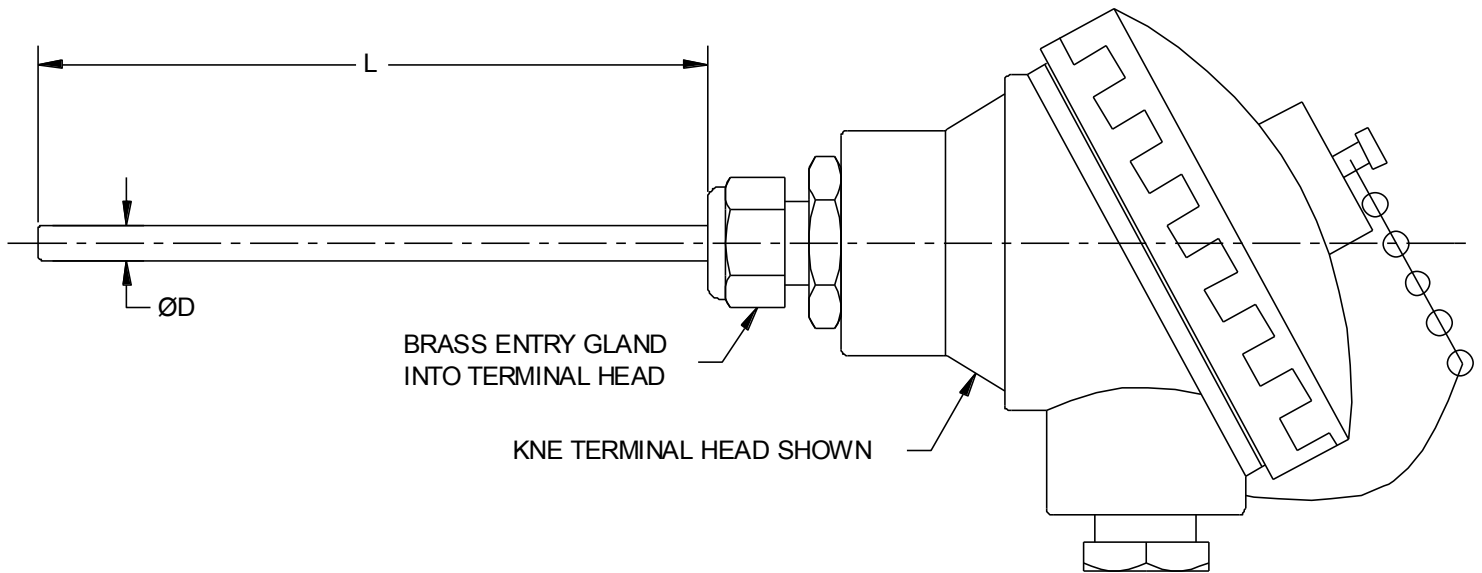


TTL15-T

Mineral Insulated Thermocouple Probe with Terminal Head



- Mineral Insulated Thermometer with Terminal Head
- Operating Temperatures of up to 1250C
- Suitable for a Wide Variety of Demanding Applications
- Semi-Flexible Sensor available to Almost Any Length
- Choice of Terminal Head Fittings



Specifications

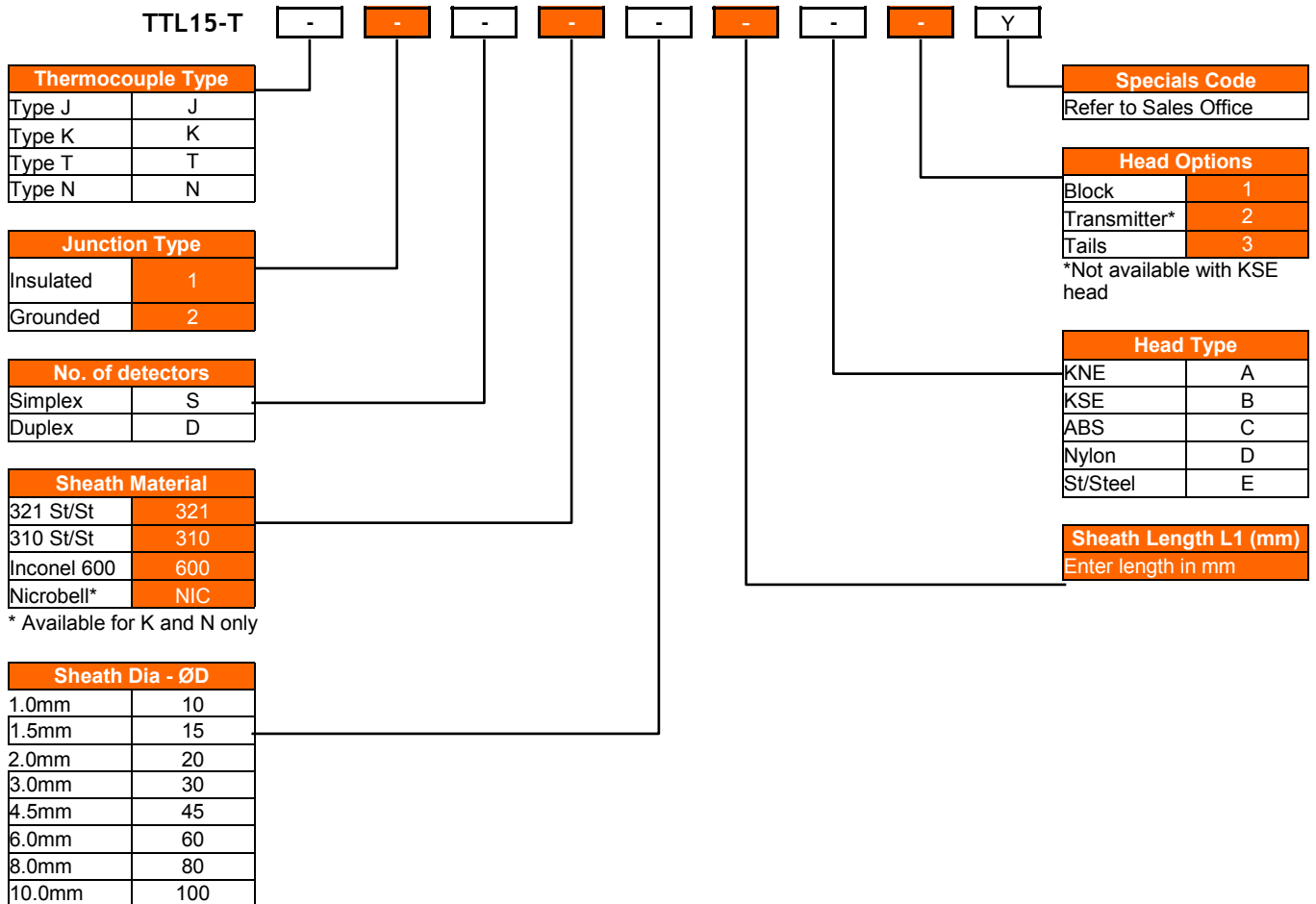
Sensor Type	Type J, K, T or N thermocouple.	
Sheath Material	321 Stainless Steel	800°C
	310 Stainless Steel	1100°C
	Inconel 600	1100°C
	Nicrobell	1250°C
Tolerance Band	BS EN 60584-2:1993 Class 1 or Class 2	
Wiring System	Simplex or Duplex	
Head Types	A - KNE Aluminium Alloy, IP68	
	B - KSE Aluminium Alloy, IP68	
	C - ABS, IP67	
	D - Glass Filled Nylon, IP65	
	E - 316 stainless steel, IP68 (Other heads available upon request)	
Head Options	A - Ceramic Terminal Block	
	B - In Head Transmitter—various types	
	C - Tails for Customers Own Transmitter	

TTL15-T

Mineral Insulated Thermocouple Probe with Terminal Head



www.kobold-direct.co.uk



NOTE: Some option combinations not possible.

This data sheet gives details of the most popular options available for this type of sensor but is not intended to give an exhaustive list of possibilities. If you have a special requirement please do not hesitate to contact our sales office for assistance.

Accessories for your sensor...



Compression Fittings



Signal Conditioners



Pockets / Thermowells



Extension Cables