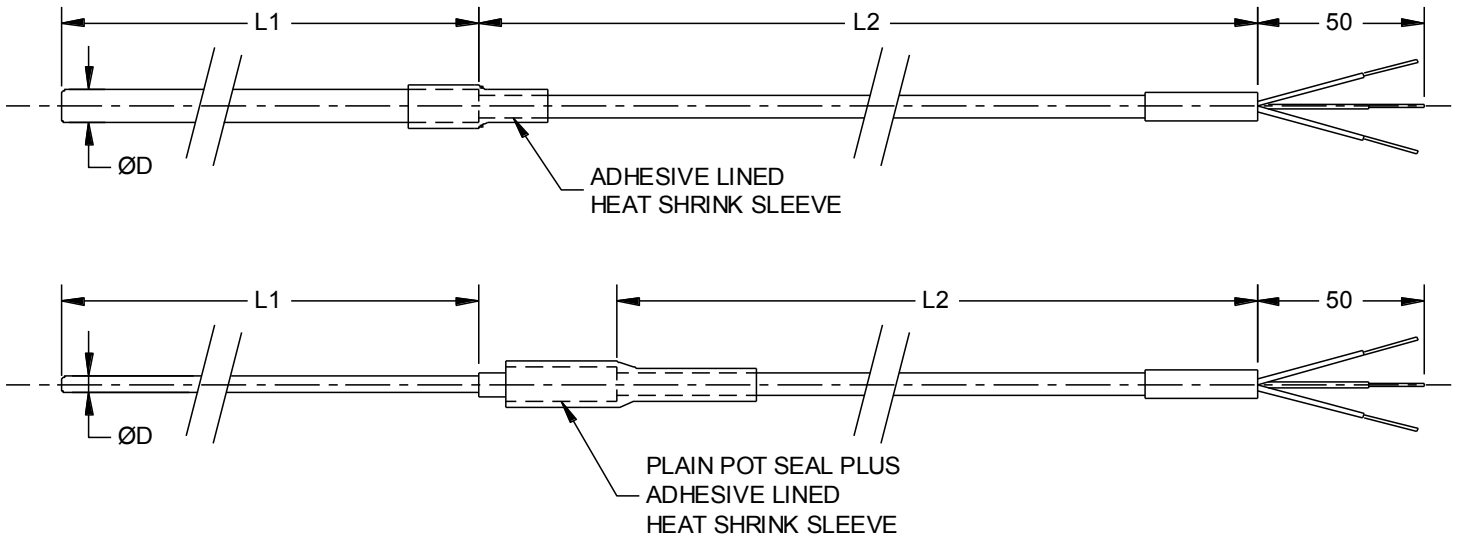
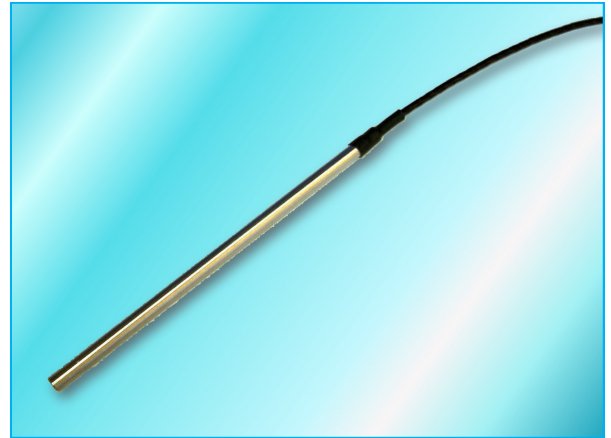


TTE1-T

Thermocouple Probe with Flying Lead



- Sensor Probe with Flying Lead
- General Purpose Industrial and OEM Applications
- Ideal for use with Compression Fittings or Pockets
- Standard Choice of Thermocouple Types, Sheath Sizes & Lead Types
- Manufacture to Your Requirements
- UKAS or Traceable Calibration Available

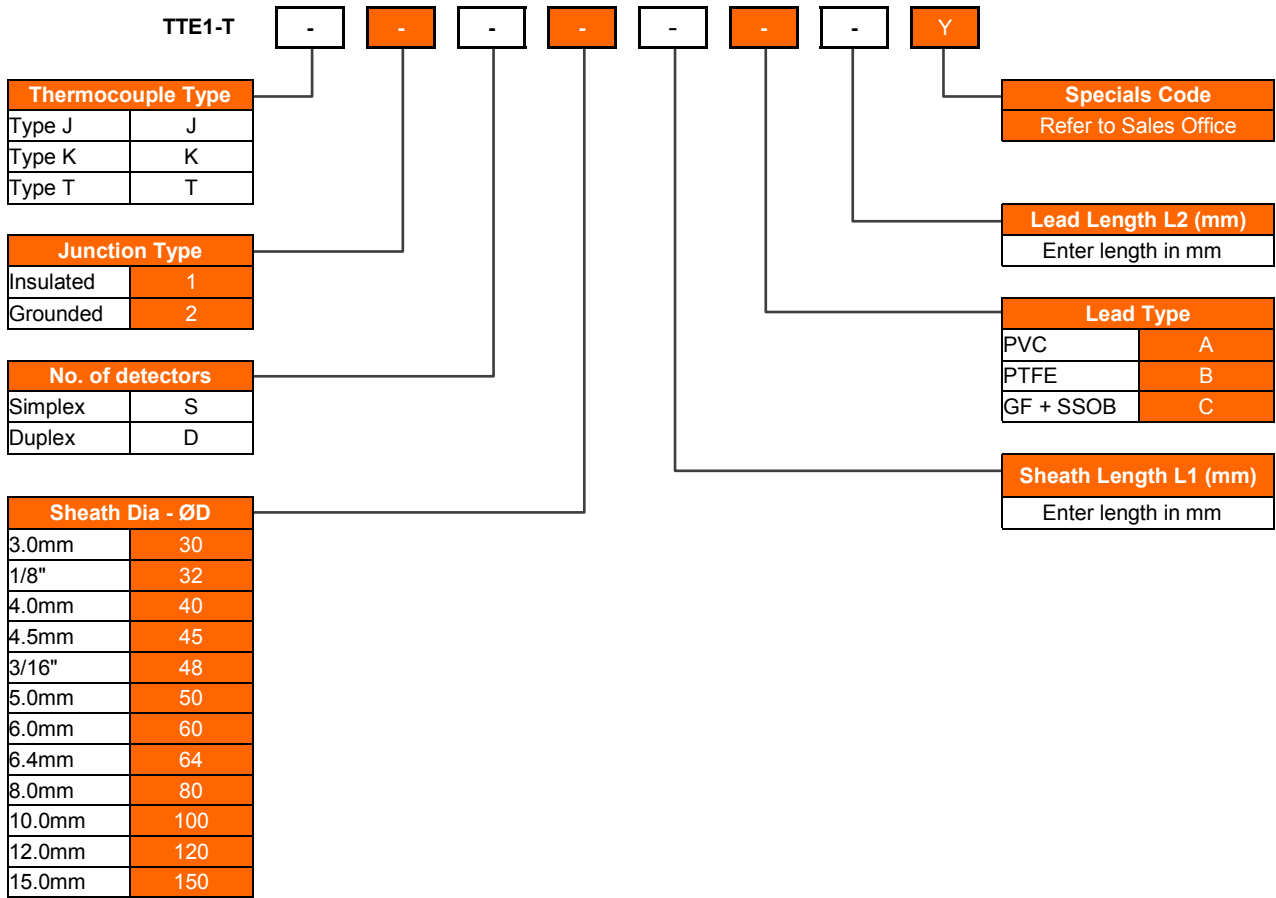


Specifications

Sensor Type	Type J, K or T thermocouple. Insulated or Grounded hot junction.
Operating Range	Limited to range of lead as standard— see below—can be extended at additional cost
Sheath Material	316 stainless steel
Tolerance Band	BS EN 60584-2:1993 Class 1 or Class 2 (Determined by material availability)
Wiring System	Simplex or Duplex
Lead Types	A—PVC/PVC Screened (-10 to +105°C) B—PTFE/PTFE Screened (-200 to +250°C) C—Glass Fibre Stainless Steel Overbraid (0 to 350°C) (Other cables available upon request).

TTE1-T

Thermocouple Probe with Flying Lead



NOTE: Some sheath diameter / lead type combinations require a pot seal. Some option combinations not possible.

This data sheet gives details of the most popular options available for this type of sensor but is not intended to give an exhaustive list of possibilities. If you have a special requirement please do not hesitate to contact our sales office for assistance.

Accessories for your sensor...



Compression Fittings



Pockets / Thermowells



Extension Cables